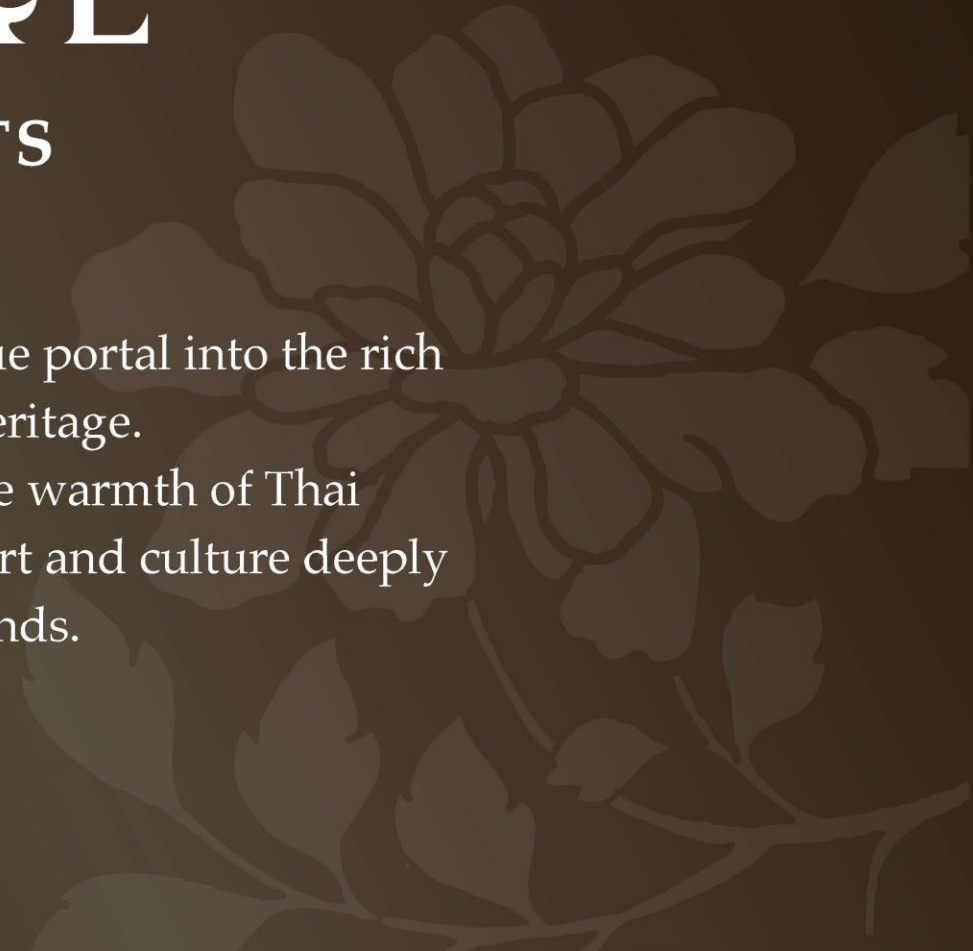


The
IMPERIAL
HOTELS & RESORTS

The Imperial Hotels and Resorts provides a unique portal into the rich tapestry and regal luxury of Thai heritage.

Each prides itself on exemplifying the genuine warmth of Thai hospitality and invites guests to absorb the local art and culture deeply embedded in the curated surrounds.



A serene landscape at sunrise. The sky is a warm, golden orange, with the sun low on the horizon to the right. In the background, a range of mountains is silhouetted against the bright sky. A thick layer of mist or fog fills the valley, creating a soft, ethereal atmosphere. In the foreground, several trees are silhouetted against the mist, including a prominent tall pine tree on the left and a smaller tree on the right. The overall mood is peaceful and contemplative.

SO MANY THINGS TO
EXPLORE,
EXPERIENCE,
ETERNALIZE....



- Mae Hong Son 1. The Imperial Mae Hong Son Resort
- Chiang Rai 2. The Imperial Golden Triangle Resort
 3. The Imperial River House Resort
- Chiang Mai 4. The Imperial Resort & Sports Club Chiang Mai
 5. Imm Hotel Thaphae Chiang Mai
 6. CH Hotel
 7. Eco Resort Chiang Mai
 8. Eurasia Chiang Mai Hotel
 9. Night Bazaar Place
- Phitsanulok 10. The Imperial Hotel and Convention Centre Phitsanulok
- Petchabun 11. The Imperial Phukaew Hill Resort
- Nakhon Ratchasima 12. The Imperial Hotel and Convention Centre Korat
- Bangkok 13. The Raweekanlaya Bangkok Wellness Cuisine Resort
 14. The Pantip Hotel Ladprao Bangkok
 15. The Tarntawan Hotel Surawong Bangkok
- Cha-am 16. Eurasia Resort Cha-am
- Narathiwat 17. The Imperial Narathiwat Hotel



The
IMPERIAL

NARATHIWAT HOTEL | NARATHIWAT



AT THE HEART OF NARATHIWAT

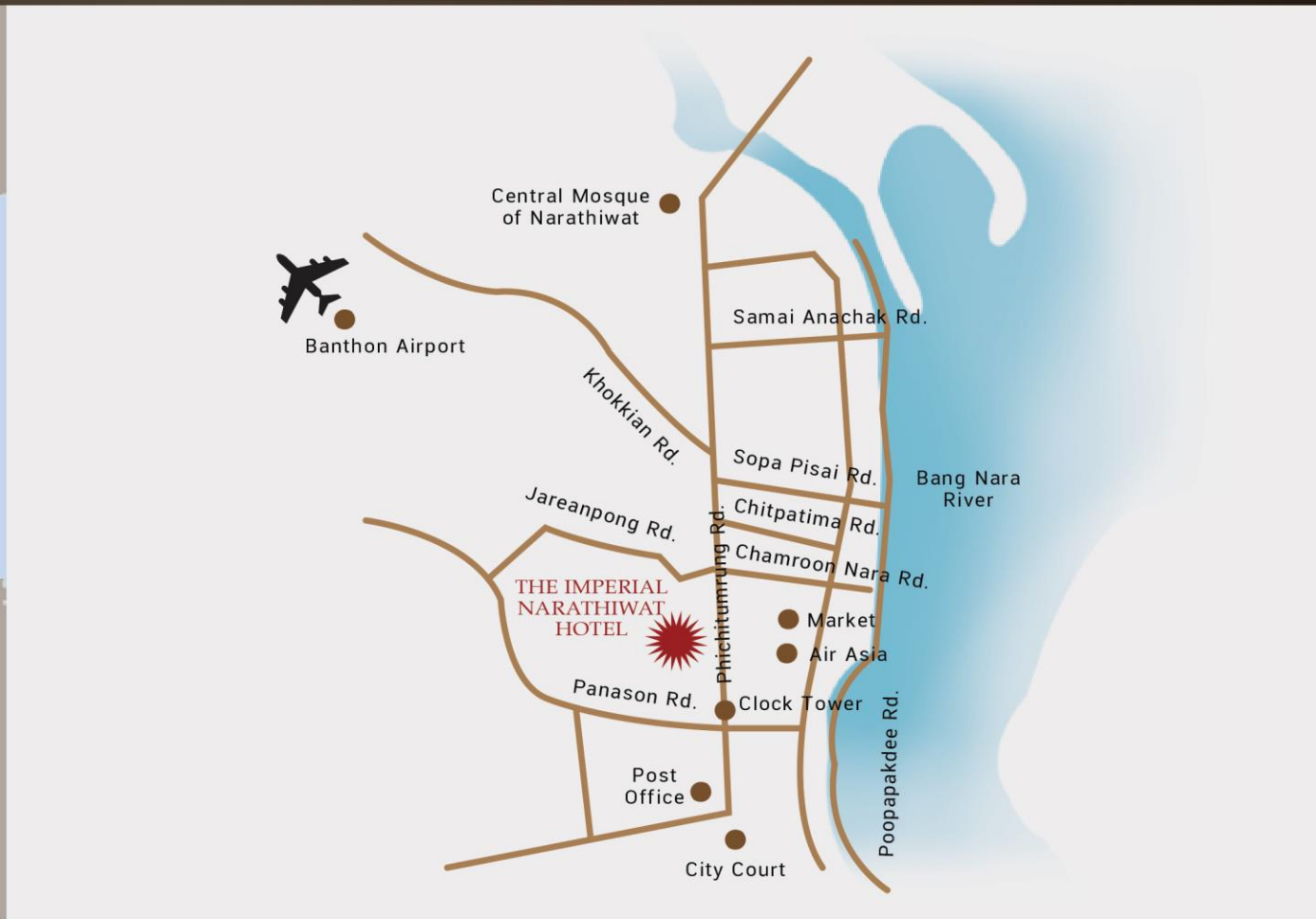


THE IMPERIAL NARATHIWAT HOTEL

Experience the best of both worlds at The Imperial Narathiwat Hotel, one of the top hotels in this Southern Thai province, perfect for both business and leisure travelers. 117 spacious, comfortable, and well-appointed guest rooms, along with a wide range of facilities to make your stay memorable.

Located just a short distance from the town's bustling commercial district, our hotel is the ideal base for exploring Narathiwat's rich culture and heritage. Unwind in our cozy and stylish rooms, and take advantage of our amenities, designed with your comfort and convenience in mind.

LOCATION



ADDRESS

The Imperial Narathiwat Hotel
260 Pichitbumrung Rd., Bang Nak, Muang,
Narathiwat, 96000, Thailand



www.imperialnarathiwat.com

[/ImperialNarathiwat](https://www.facebook.com/ImperialNarathiwat)

Email: info@imperialnarathiwat.com

Sales Office:
Tel: +66 (0) 7351 5041
Fax: +66 (0) 7351 5040

Reservation Center
Tel: +66 (0) 2 237 7700 # 2561
Mon - Fri 08:30 - 17:00 hrs.
Email: rsvn@imperialhotels.com
www.imperialhotels.com

ACCOMMODATION

Deluxe	30 sqm	98
Deluxe Corner	29 sqm	12
Presidential Suite	51 sqm	6
Imperial Suite	130 sqm	1

ROOM FEATURES

Air-Conditioning
Bathroom Amenities
Free WiFi
Coffee and Tea Making Facilities
Minibar
LCD TV
Hairdryer
2 Complimentary Bottles of Water Daily
Working Desk

HOTEL FACILITIES

Swimming Pool	6:30 - 18:30 hrs.
Garden	24 hrs.
Guest Parking	24 hrs.

GUEST SERVICES

Airport Transfer	upon request
Free WiFi Access in Public Areas	24 hrs.

RESTAURANTS & BARS

Lobby Bar	10:00 - 22:00 hrs.
Bang Nara	6:00 - 22:00 hrs.



The
IMPERIAL
NARATHIWAT HOTEL | NARATHIWAT



DELUXE

Our well-appointed and comfortable rooms on floors 3-8 are designed to provide you with everything you need to feel right at home and ready to go. Enjoy stunning city views from your room, and take advantage of the in-room amenities, including a refrigerator and TV. Relax in a queen-size bed and unwind in the comfort of your ensuite bathroom. We've taken care of all the details, so you can enjoy a stress-free and comfortable stay with us. Whether you're visiting for business or pleasure, our rooms are the perfect home away from home.

ROOM OVERVIEW



2 Adults 2 Kids



Air-conditioned



27-30 sq.m



Floor 3-8



View



High Speed Internet



Telephone



LCD TV



Cable/Satellite



Bathtub



Bathroom Amenities



Hair Dryer



Refrigerator



2 Bottled Water



Room Service



Wake-up call Service



Laundry Service



Extra Bed

AMENITIES

The IMPERIAL

NARATHIWAT HOTEL | NARATHIWAT



DELUXE CORNER

Experience breathtaking sea views and a touch of class in our accommodations located on floors 3-8. Each room features an ensuite bathroom, a comfortable king-size bed, a refrigerator, coffee and tea-making facilities, and satellite TV. Our rooms are designed to make you feel at ease, with maximum comfort and convenience in mind. With a maximum capacity of two guests, our accommodations are perfect for couples and solo travelers seeking a relaxing and luxurious stay. Whether you're here for business or pleasure travellers.

ROOM OVERVIEW



2 Adults 2 Kids



Air-conditioned



29 sq.m



Floor 3-8



View



Telephone



LCD TV



Cable/Satellite



High Speed Internet



Bathtub



Bathroom Amenities



Hair Dryer



Refrigerator



2 Bottled Water



Kettle



Coffee / Tea Service



Room Service



Wake-up call Service



Laundry Service



Extra Bed

AMENITIES

The
IMPERIAL
NARATHIWAT HOTEL | NARATHIWAT



PRESIDENTIAL SUITE

Indulge in the ultimate luxury in our elegantly spacious corner units located on floors 3-7. These Presidential suites offer the perfect retreat for discerning travelers seeking the utmost in comfort and convenience. Enjoy a king-size bed and an ensuite bathroom, along with a separate lounge and living area with a fully-equipped kitchen, perfect for whipping up your own drinks and snacks. Take in the stunning views of both the city and the sea through widescreen windows, and unwind with your favorite satellite channels on the TV. Presidential Suite designed with your relaxation in mind, offering the perfect blend of style and comfort. Whether you're here for business or pleasure, our suites will exceed your expectations and make your stay with us truly memorable.

ROOM OVERVIEW



2 Adults 2 Kids



Living Room



51 sq.m



Floor 3-7



View



Air-conditioned



Telephone



Sitting Area



LCD TV



Cable/Satellite



High Speed Internet

AMENITIES



Bathtub



Bathroom Amenities



Hair Dryer



Refrigerator



2 Bottled Water



Kettle



Coffee / Tea Service



Room Service



Bathrobe



Wake-up call Service



Laundry Service



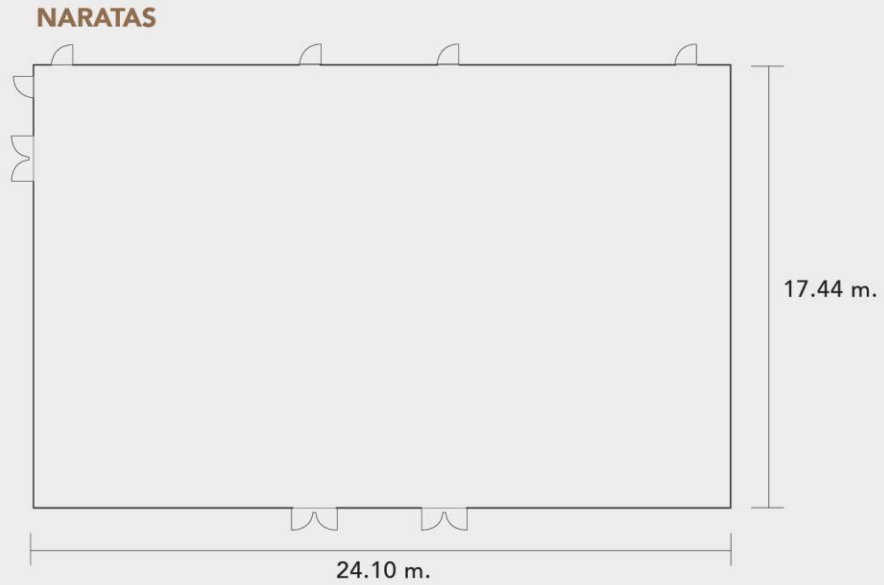
Extra Bed

The
IMPERIAL
 NARATHIWAT HOTEL | NARATHIWAT

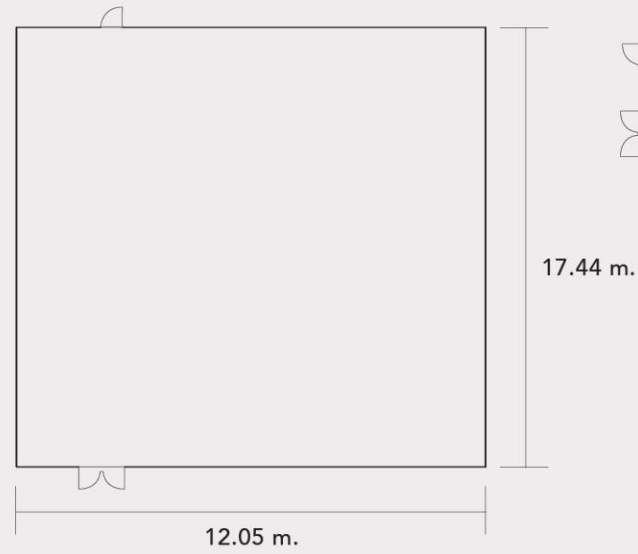
Ideally located for private, business and government events in southern Thailand, the Imperial Narathiwat offers a versatile array of spaces with full audio visual equipment backed by experienced teams of organizers and helpers. For seminars, conferences, and weddings a variety of configurations and catering programs can be arranged. Thai and Muslim weddings are particular specialties.

Function Room	Sq.m.	Capacity (Person)			
		Theatre	Classroom	Cocktail	Sit-Down
Naratas	423	600	250	300	500
Naratas 1	211.5	250	120	100	150
Naratas 2	211.5	200	100	70	100
Pikultong	62.40	60	30	-	50

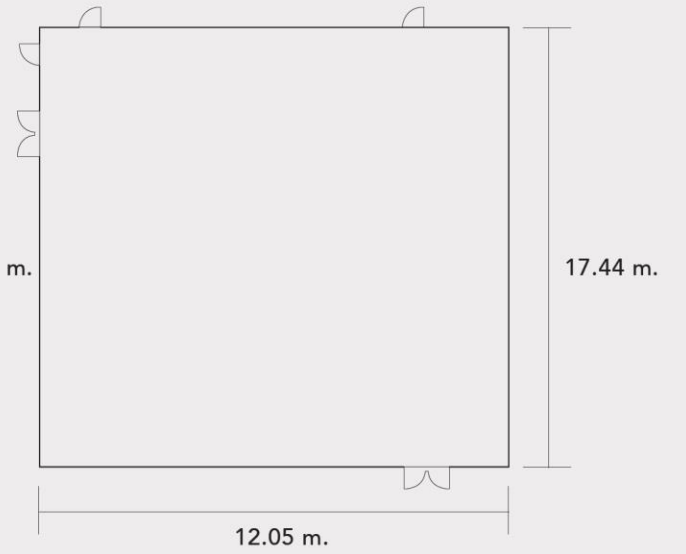
The
IMPERIAL
NARATHIWAT HOTEL | NARATHIWAT



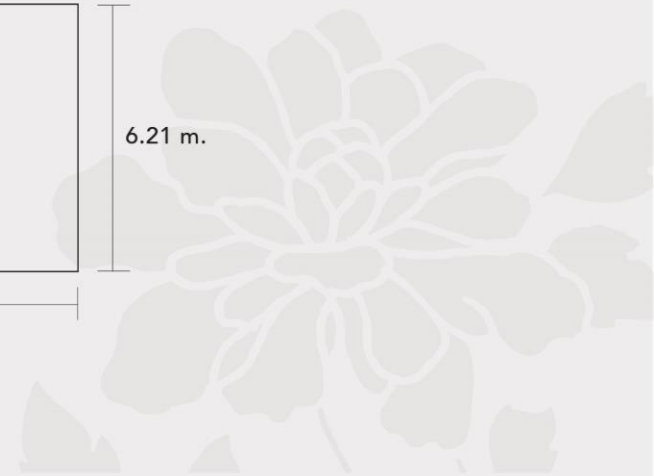
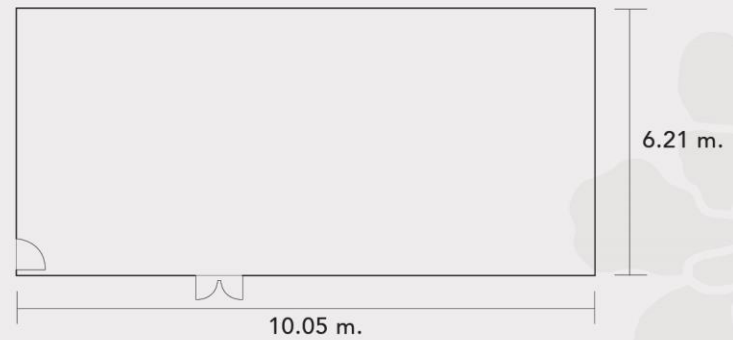
NARATAS 1



NARATAS 2



PIKULTONG



The
IMPERIAL
NARATHIWAT HOTEL | NARATHIWAT



The
IMPERIAL
NARATHIWAT HOTEL | NARATHIWAT



ATTRACTIONS



Ao Manao Beach



Sukhirin



Hala Bala Forest

Ao Manao Beach	6 km.
Masjid Telok Manok	26 km.
Sukhirin	67 km.
Hala Bala Forest	85 km.



The
IMPERIAL
HOTEL AND CONVENTION CENTRE KORAT



THAILAND

Thailand lies at the heart of Southeast Asia, sharing borders with Myanmar, Laos, Cambodia and Malaysia.

From the mountains and hill tribes of the north and the bustle of Bangkok to its gorgeous resorts, it offers everything a traveller could wish for from vibrant cultures, ecstatic cuisines, nightlife and shopping extravaganzas to rejuvenating wellness, sunny beaches and family fun.

The
IMPERIAL
HOTELS & RESORTS

www.imperialhotels.com

